

**TACT SWITCHES**

- Excellent tactile feedback
- Washable and non-washable versions
- Insert molded terminals to prevent flux buildup during soldering
- Ultraminiature and lightweight design suitable for high density mounting
- RoHS Compliant

Tact Switches

Page

Selection Chart ..... 2

**NON-WASHABLE TACTILE SWITCHES**

6mm x 3.5mm ..... 3

6mm Square ..... 4

12mm Square ..... 7

5mm Square ..... 9

**WASHABLE TACTILE SWITCHES**

6mm ..... 10

	Description	Actuation Forces Available (grams)	Actuator Heights Available (inch)	Series	Page
<b>Non Washable Tactile Switches</b>					
<b>Surface Mount-Gullwing Leads</b>	3.5mm x 6mm	160	.169, .197	95C04	C-4
		320	.169, .197	95C04	C-4
	5 mm square	160	0.059	95C05	C-10
	6mm Square	100	.169, .197, .276, .374, .512	95C06	C-5
		160	.169, .197, .276, .374, .512	95C06	C-5
		260	.169, .197, .276, .374, .512	95C06	C-5
		320	.169, .197, .276, .374, .512	95C06	C-5
		520	.169, .197, .276, .374, .512	95C06	C-5
	6mm Square for use with actuator cap	100	0.287	95C06	C-5
		160	0.287	95C06	C-5
		260	0.287	95C06	C-5
		320	0.287	95C06	C-5
		520	0.287	95C06	C-5
	12mm Square	160	.169, .335	95C12	C-8
	260	.169, .335	95C12	C-8	
12mm Square for use with actuator cap	160	0.287	95C12	C-8	
	260	0.287	95C12	C-8	
<b>Thru-Hole</b>	3.5mm x 6mm	160	.169, .197	95C04	C-4
		320	.169, .197	95C04	C-4
	6mm Square	100	.169, .197, .276, .374, .512	95C06	C-5
		160	.169, .197, .276, .374, .512	95C06	C-5
		260	.169, .197, .276, .374, .512	95C06	C-5
		320	.169, .197, .276, .374, .512	95C06	C-5
		520	.169, .197, .276, .374, .512	95C06	C-5
	6mm Square for use with actuator cap	100	0.287	95C06	C-5
		160	0.287	95C06	C-5
		260	0.287	95C06	C-5
		320	0.287	95C06	C-5
		520	0.287	95C06	C-5
	12mm Square	160	.169, .335	95C12	C-8
		260	.169, .335	95C12	C-8
12mm Square for use with actuator cap	160	0.287	95C12	C-8	
	260	0.287	95C12	C-8	
<b>Right Angle Thru-Hole</b>	6mm Square	100	.124, .152, .230, .329, .467	95C06	C-5
		160	.124, .152, .230, .329, .467	95C06	C-5
		260	.124, .152, .230, .329, .467	95C06	C-5
	6mm Square for use with actuator cap	100	0.287	95C06	C-5
		160	0.287	95C06	C-5
		260	0.287	95C06	C-5
<b>Washable Tactile Switches</b>					
<b>Surface Mount-Gullwing Leads</b>					
6mm square	160	0.091, .122	95CW06	C-11	
	180	.138, .150, .205	95CW06	C-11	
	260	.138, .150, .205	95CW06	C-11	
	360	.138, .150, .205	95CW06	C-11	
	520	.150, .205	95CW06	C-11	
<b>Surface Mount-J Leads</b>					
6mm square	160	0.091, .122	95CW06	C-11	
	180	.138, .150, .205	95CW06	C-11	
	260	.138, .150, .205	95CW06	C-11	
	360	.138, .150, .205	95CW06	C-11	
	520	.150, .205	95CW06	C-11	
<b>Thru-Hole</b>					
6mm square	160	0.091, .122	95CW06	C-11	
	180	.138, .150, .205	95CW06	C-11	
	260	.138, .150, .205	95CW06	C-11	
	360	.138, .150, .205	95CW06	C-11	
	520	.150, .205	95CW06	C-11	
<b>Surface Mount-Right Angle</b>					
6mm square	260	.031, .039, .091	95CW06	C-11	

## SERIES 95C

6mm x 3.5mm



### FEATURES

- Excellent Tactile Feedback
- Thru-hole and Gull Wing Versions
- Surface Mount Versions Compatible with SMT Assembly Including Infrared and Vapor Phase
- Ultraminiature and Lightweight Structure Suitable for High Density Mounting

### APPLICATIONS

Used in applications such as consumer electronics, audio equipment, PCs, VCRs, cable boxes, modems, communications equipment, controls, security and alarm equipment, and test and measurement equipment.

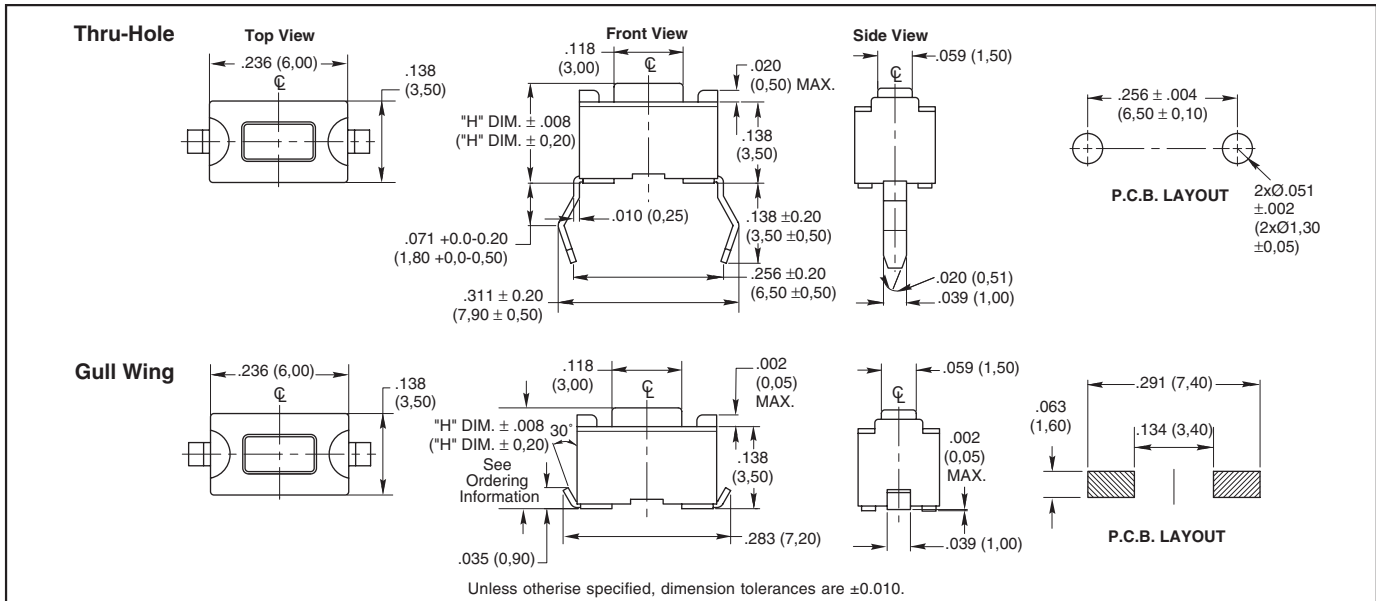


Thru-Hole, 160g,  
Brown Actuator



Gull Wing, 320g,  
Orange Actuator

### DIMENSIONS In inches (and millimeters)



### SPECIFICATIONS

#### Materials

- Base:** UL94V-0 Nylon thermoplastic
- Cover:** Stainless steel
- Actuator:** UL94V-0 Nylon thermoplastic
- Terminal:** Brass with silver-plating
- Contact:** Stainless steel with silver-plating

#### Electrical

- Rating:** 50mA, 12 Vdc
- Life:** 50,000 cycles
- Actuator Travel:** .010" + .008"/ - .004"
- Contact Resistance:** 100 mΩ max.
- Insulation Resistance:** 100 MΩ min. at 500Vdc

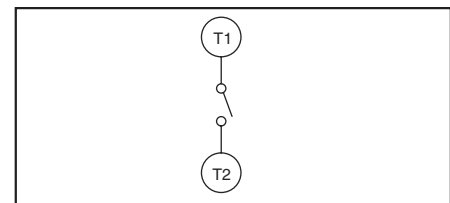
**Dielectric Strength:** No dielectric breakdown after 250V after one minute

**Contact Arrangement:** single pole, single throw

#### Environmental

- Operating Temperature Range:** -25 to 70°C
- Storage Temperature Range:** -30 to 80°C
- Mechanical Shock:** MIL-STD-202F, Method 213B, Test Condition A. Gravity: 50G (peak value), 11 msec. Direction and times: 6 sides and 3 times in each direction. High reliability.
- Vibration:** MIL-STD-202F, Method 201A. Passed 6 hours (2 hours in each) of three perpendicular planes at a cycle of 10-55-10Hz/minute.

### CIRCUITRY



#### Soldering Process

- Hand Soldering:** Use a soldering iron of 30 watts, controlled at 350°C for 5 seconds maximum while applying solder.
- Reflow Soldering** (surface mount versions only): Peak temperature 260°C (500°F).
- Wave Soldering:** 260°C (500°F) max. for 5 seconds. Subject to P.C.B. .063 in. (1,6mm) thickness.

#### Packaging

Thru-Hole: 135 pcs/tube. Surface Mount: 135 pcs/tube, 1800 pcs/reel (.169" height), 1600 pcs/reel (.197" height).

### ORDERING INFORMATION

<p><b>95C04A3GWRT</b></p>	<b>Series</b>
	<b>Size:</b> 04 = 3.5mm x 6mm
	<b>Height ("H"):</b> A = .169 (4,30), B = .197 (5,00)
	<b>RoHS compliant</b>
	<b>Packaging:</b> Blank = Tube, R = Tape and Reel (see pkg note)
	<b>Terminal Style:</b> Blank = Thru-Hole, GW = Gull Wing
	<b>Operating Force:</b> 3 = 160g (brown), 5 = 320g (orange)

Available from your local Grayhill Component Distributor.

For prices and discounts, contact a local Sales Office, an authorized local distributor, or Grayhill.

Tact Switches

## SERIES 95C

6mm Square, Non-washable

### FEATURES

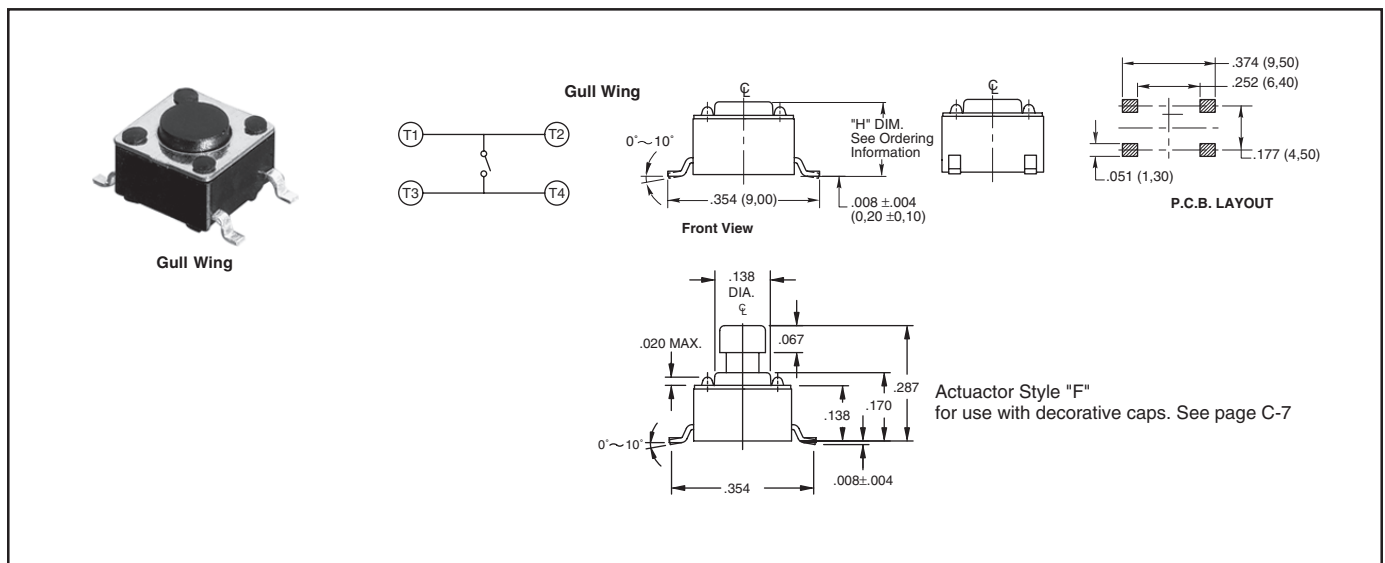
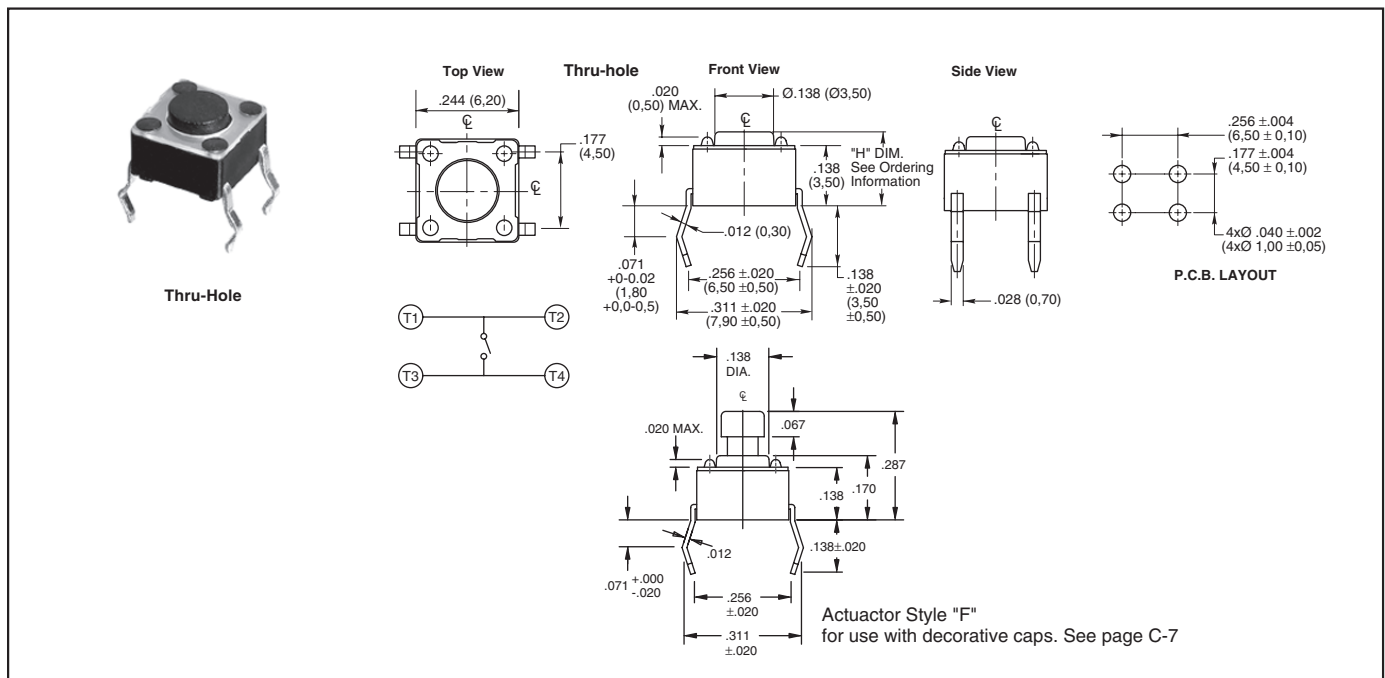
- Excellent Tactile Feedback
- Thru-hole, Gull Wings, and Right Angle Versions
- Surface Mount Versions
- Compatible with SMT Assembly Including Infrared and Vapor Phase

- Ultraminiature and Lightweight Structure Suitable for High Density Mounting


Used in applications such as consumer electronics, audio equipment, PCs, VCRs, cable boxes, modems, communications equipment, controls, security and alarm equipment, and test and measurement equipment.

### APPLICATIONS

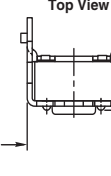
### DIMENSIONS: Non-Washable Switches In inches (and millimeters)



**DIMENSIONS: Non-Washable Switches** In inches (and millimeters)

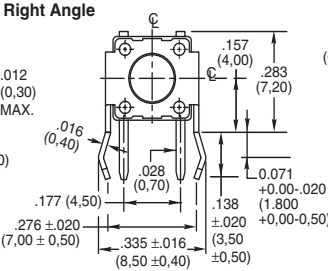


**Right Angle**



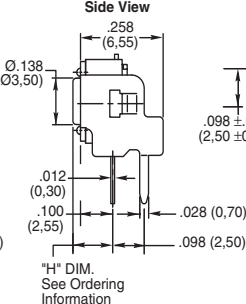
**Top View**

.012 (0,30) MAX.  
.291 (7,40)



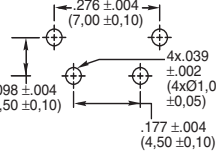
**Right Angle**

.157 (4,00)  
.283 (7,20)  
.016 (0,40)  
.028 (0,70)  
.177 (4,50)  
.276 ±.020 (7,00 ± 0,50)  
.335 ±.016 (8,50 ± 0,40)  
.138 (3,50)  
±.020 (0,50)  
0.071 (1,800)  
+0,00-0,020  
+0,00-0,50



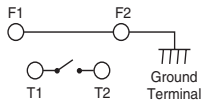
**Side View**

.258 (6,55)  
Ø.138 (Ø3,50)  
.012 (0,30)  
.100 (2,55)  
.028 (0,70)  
.098 (2,50)  
"H" DIM. See Ordering Information

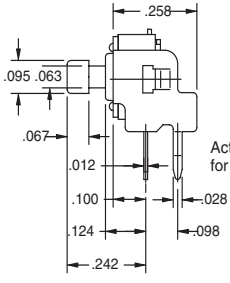


**P.C.B. LAYOUT**

.276 ±.004 (7,00 ± 0,10)  
4x.039 ±.002 (4xØ1,0 ± 0,05)  
.098 ±.004 (2,50 ± 0,10)  
.177 ±.004 (4,50 ± 0,10)

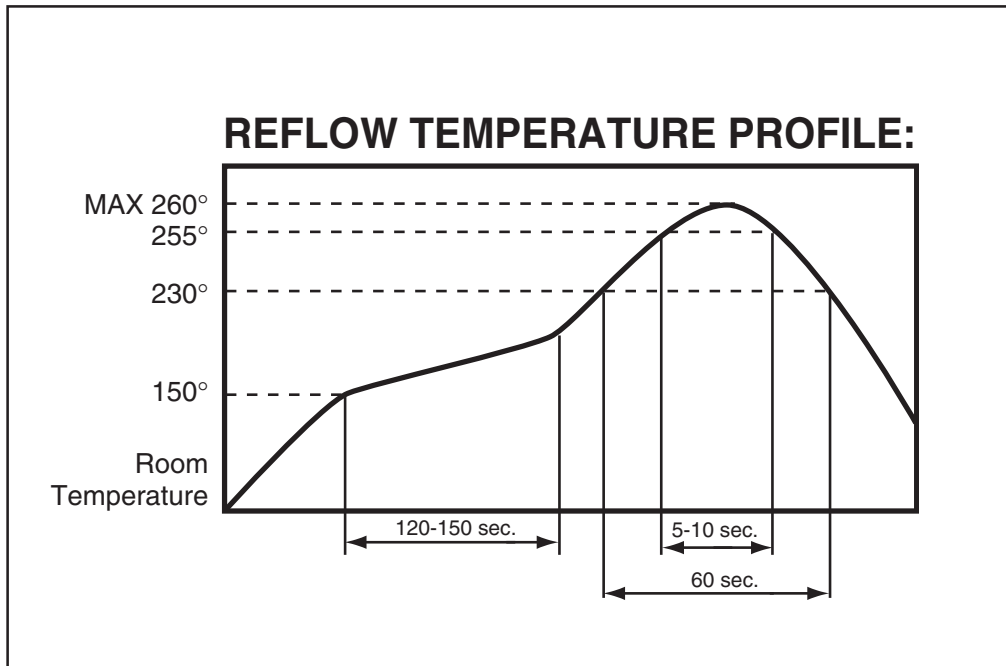


F1 F2  
T1 T2  
Ground Terminal



.258  
.095 .063  
.067  
.012  
.100  
.124  
.242  
.028  
.098

Actuator Style "F" for use with caps. See page



Tact Switches

## ORDERING INFORMATION: Non-Washable Switches

<p><b>Thru-Hole and Gull Wing</b></p> <p><b>95C06A2GWRT</b></p>	<p><b>Series</b>  <b>Size:</b> 06 = 6mm Square  <b>Height ("H"):</b> A = .169 (4,29), B = .197 (5,00), C = .276 (7,01), D = .374 (9,50), E = .512 (13,00)          F = .287 (7,29) for use with decorative caps</p> <p><b>RoHS compliant</b>  <b>Packaging:</b> Blank = Tube or bulk, R = Tape and Reel (see pkg note)  <b>Terminal Style:</b> Blank = Thru-hole, GW = Gull Wing  <b>Operating Force (Actuator Color):</b> 2 = 100g (Black), 3 = 160g (Brown), 4 = 260g (Red),          5 = 320g (Orange), 6 = 520g (Yellow)</p>
<p><b>Right Angle</b></p> <p><b>95C06A2RAT</b></p>	<p><b>Series</b>  <b>Size:</b> 06 = 6mm Square  <b>Height ("H"):</b> A = .124 (3,14), B = .152 (3,86), C = .230 (5,84), D = .329 (8,36), E = .467 (11,86)          F = .242 (6,15) for use with decorative caps</p> <p><b>RoHS compliant</b>  <b>Terminal Style:</b> RA = Right Angle  <b>Operating Force (Actuator Color):</b> 2 = 100g (Black), 3 = 160g (Brown), 4 = 260g (Red)</p>

**Packaging** Thru-Hole: Bulk, 1000 pcs/bag. Surface Mount: 77 pcs/tube, 1000 pcs/reel (.169" height), 900 pcs/reel (.197" height), 500 pcs/reel (.276" and .287" height), 380 pcs/reel (.374" height). Right Angle: Bulk, 1000 pcs/bag.

## SPECIFICATIONS:

### Non-Washable Switches

#### Materials

**Base:** UL94V-0 Nylon thermoplastic  
**Cover:** Stainless steel, tin-plated steel  
**Actuator:** UL94V-0 Nylon thermoplastic  
**Terminal:** Brass with silver-plating  
**Contact:** Stainless steel with silver-plating  
**Cap:** Thermoplastic ABS

#### Electrical

**Rating:** 50mA, 12 Vdc  
**Life:** 100g, 160g: 1,000,000 cycles;  
 260g: 500,000 cycles  
 320g, 520g, 300,000 cycles  
**Actuator Travel:** .010" + .008"/ - .004"  
**Contact Resistance:** 100 mΩ max.  
**Insulation Resistance:** 100 MΩ min. at 500Vdc

**Dielectric Strength:** No dielectric breakdown after 250V for one minute  
**Contact Arrangement:** single pole, single throw

#### Environmental

**Operating Temp. Range:** -25 to 70°C  
**Storage Temp. Range:** -30 to 80°C  
**Mechanical Shock:** MIL-STD-202F, Method 213B, Test Condition A. Gravity: 50G's (peak value), 11 msec. Direction and times: 6 sides and 3 times in each direction. High reliability.  
**Vibration:** MIL-STD-202F, Method 201A. Passed 6 hours (2 hours in each) of three perpendicular planes at a cycle of 10-55-10Hz/minute. High reliability.

#### Soldering Process

**Hand Soldering:** Use a soldering iron of 30 watts, controlled at 350°C for 5 seconds maximum while applying solder.

**Reflow Soldering** (surface mount versions only): Peak temperature 260°C (500°F).

**Wave Soldering:** 260°C (500°F) maximum for 5 seconds subject to PCB .063 in. (1,6mm) thickness.

#### Available from your local Grayhill Component Distributor.

For prices and discounts, contact a local Sales Office, an authorized local distributor, or Grayhill.

## DECORATIVE CAPS (for use with "F" style square actuators)

**6mm SQUARE**

figure 1

**6mm ROUND**

figure 2

PART NUMBER	SWITCH SIZE	SHAPE	COLOR	FIGURE
95CAP-000	6mm	SQUARE	YELLOW	1
95CAP-001	6mm	SQUARE	BLUE	1
95CAP-002	6mm	SQUARE	RED	1
95CAP-003	6mm	SQUARE	NATURAL	1
95CAP-004	6mm	SQUARE	BLACK	1
95CAP-005	6mm	SQUARE	GREEN	1
95CAP-006	6mm	SQUARE	ORANGE	1
95CAP-010	6mm	ROUND	YELLOW	2
95CAP-011	6mm	ROUND	BLUE	2
95CAP-012	6mm	ROUND	RED	2
95CAP-013	6mm	ROUND	NATURAL	2
95CAP-014	6mm	ROUND	BLACK	2
95CAP-015	6mm	ROUND	GREEN	2
95CAP-016	6mm	ROUND	ORANGE	2

## SERIES 95C

12mm Square



### FEATURES

- Excellent Tactile Feedback
- Surface Mount Versions Compatible with SMT Assembly Including Infrared and Vapor Phase
- Ultraminiature and Lightweight Structure Suitable for High Density Mounting

Used in applications such as consumer electronics, audio equipment, PCs, VCRs, cable boxes, modems, communications equipment, controls, security and alarm equipment, and test and measurement equipment.



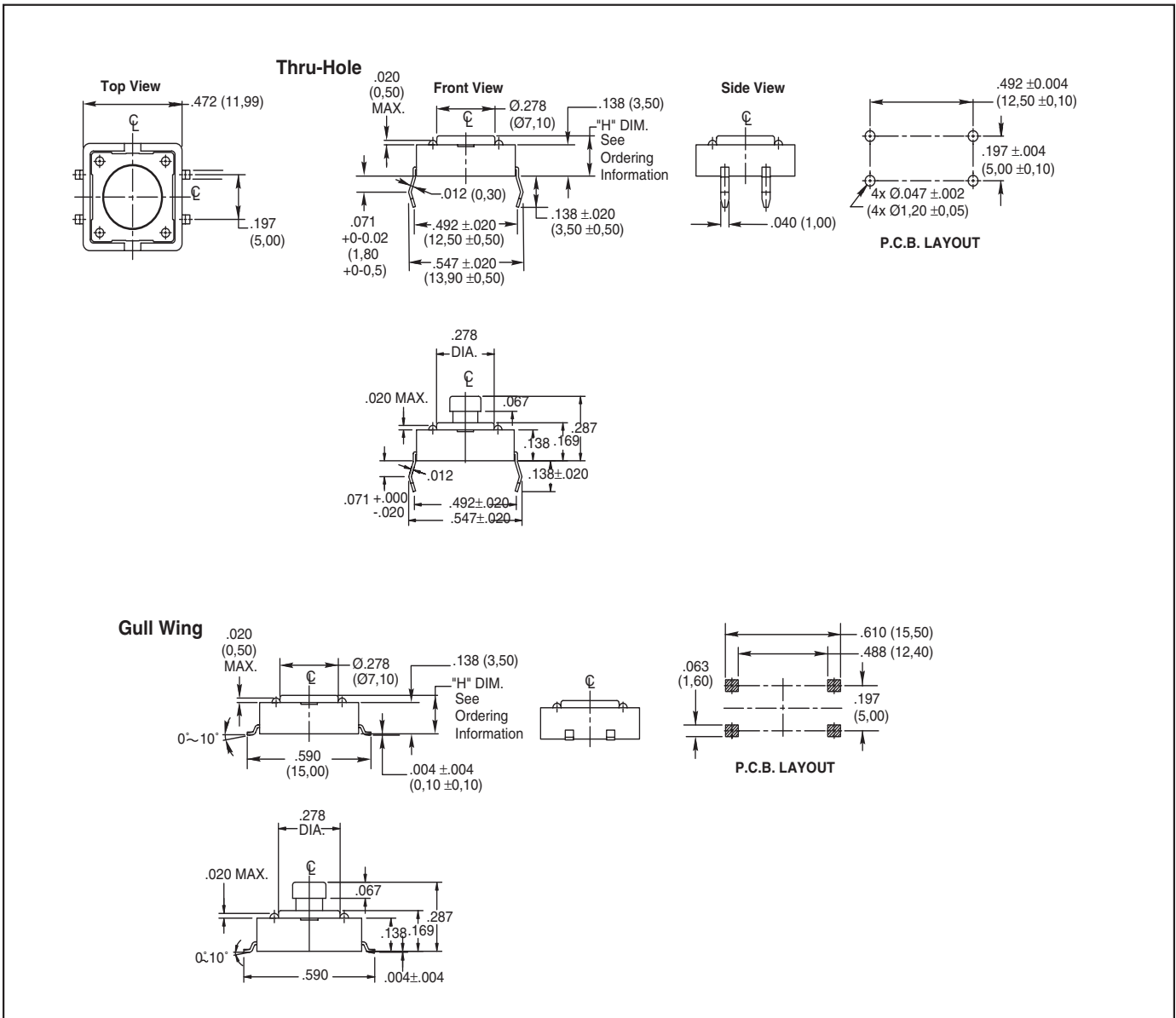
Thru-Hole



Gull Wing

### APPLICATIONS

### DIMENSIONS In inches (and millimeters)



Tact Switches



## SPECIFICATIONS

### Materials

**Base:** UL94V-0 Nylon thermoplastic  
**Cover:** Stainless steel, tin-plated  
**Actuator:** UL94V-0 Nylon thermoplastic  
**Terminal:** Brass with silver-plating  
**Contact:** Stainless steel with silver-plating  
**Cap:** Thermoplastic ABS

### Electrical

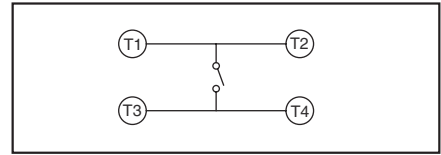
**Rating:** 50mA, 12 Vdc  
**Life:** 160g: 1,000,000 cycles/  
 260g: 500,000 cycles  
**Actuator Travel:** .014" ± .004"  
**Contact Resistance:** 100 mΩ max.

**Insulation Resistance:** 100 MΩ min. at 500Vdc  
**Dielectric Strength:** No dielectric breakdown after 250V for one minute  
**Contact Arrangement:** single pole, single throw

### Environmental

**Operating Temp. Range:** -25 to 70°C  
**Storage Temp. Range:** -30 to 80°C  
**Mechanical Shock:** MIL-STD-202F, Method, 213B, Test Condition A. Gravity: 50G's (peak value), 11 msec. Direction and times: 6 sides and 3 times in each direction. High reliability.  
**Vibration:** MIL-STD-202F, Method 201A. Passed 6 hours (2 hours in each) of three

## CIRCUITRY



perpendicular planes at a cycle of 10-55-10Hz/1 minute.

**Stop Strength:** Place the switch such that vertical, a static load of 3kg shall be applied in the direction of stem operation for a period of 15 seconds.

### Soldering Process

**Hand Soldering:** Use a soldering iron of 30 watts, controlled at 350°C for 5 seconds maximum while applying solder.

**Reflow Soldering** (surface mount versions only): Peak temperature 260°C (500°F).

**Wave Soldering:** 260°C (500°F) maximum for 5 seconds subject to PCB .063 in. (1.6mm) thickness.

### Packaging

Thru-Hole: Bulk, 500 pcs/bag.  
 Surface Mount: 40 pcs/tube, 700 pcs/reel (.169" height), 500 pcs/reel (.335" and .287" height).

## ORDERING INFORMATION

**Series**  
**Size:** 12 = 12mm Square  
**Height ("H"):** A = .169 (4,29); B = .335 (8,51); C = Square .287 (7,29)  
**95C12A3GWR**  
**RoHS compliant**  
**Packaging:** Blank = Tube or Bulk, R = Tape and Reel (see pkg note)  
**Terminal Style:** Blank = Thru-hole, GW = Gull Wing  
**Operating Force (Actuator Color):** 3 = 160g (Brown), 4 = 260g (Red)

Available from your local Grayhill Component Distributor.

For prices and discounts, contact a local Sales Office, an authorized local distributor, or Grayhill.

## DECORATIVE CAPS (for use with "C" style square actuators)

12mm Square  
figure 3

12mm Round  
figure 4

PART NUMBER	SWITCH SIZE	SHAPE	COLOR	FIGURE
95CAP-100	12mm	SQUARE	YELLOW	3
95CAP-101	12mm	SQUARE	BLUE	3
95CAP-102	12mm	SQUARE	RED	3
95CAP-103	12mm	SQUARE	NATURAL	3
95CAP-104	12mm	SQUARE	BLACK	3
95CAP-105	12mm	SQUARE	GREEN	3
95CAP-106	12mm	SQUARE	ORANGE	3
95CAP-110	12mm	ROUND	YELLOW	4
95CAP-111	12mm	ROUND	BLUE	4
95CAP-112	12mm	ROUND	RED	4
95CAP-113	12mm	ROUND	NATURAL	4
95CAP-114	12mm	ROUND	BLACK	4
95CAP-115	12mm	ROUND	GREEN	4
95CAP-116	12mm	ROUND	ORANGE	4

## SERIES 95C

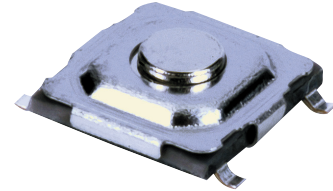
5mm Square



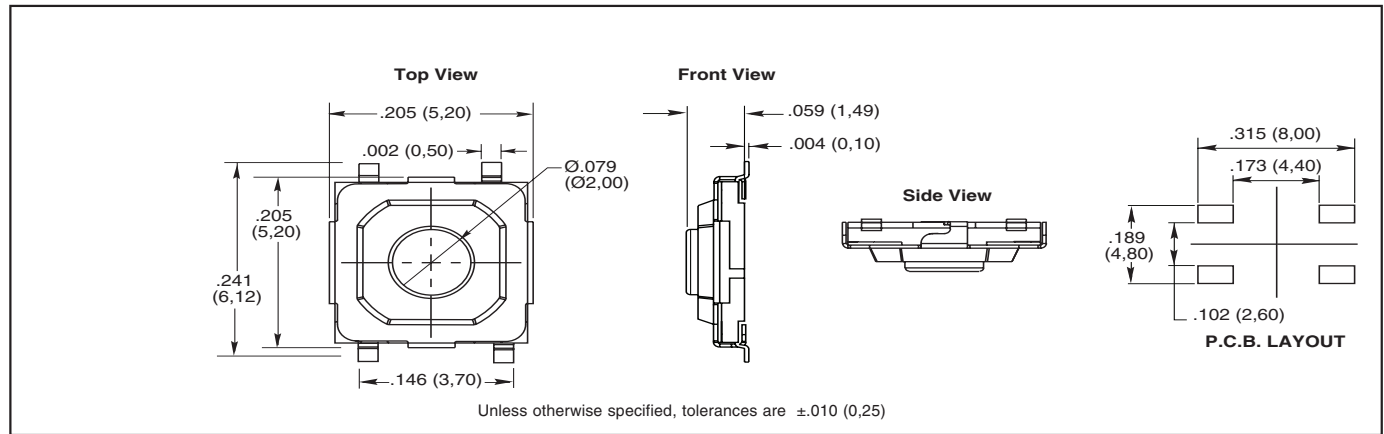
### FEATURES

- Excellent Tactile Feedback
- Compatible with SMT Assembly Including Infrared and Vapor Phase
- Ultraminiature and Lightweight Structure Suitable for High Density Mounting

Used in applications such as consumer electronics, audio equipment, PCs, VCRs, cable boxes, modems, communications equipment, controls, security and alarm equipment, and test and measurement equipment.



### DIMENSIONS (inches (and millimeters))



### SPECIFICATIONS

#### Materials

- Base:** UL94V-0 LCP thermoplastic
- Cover:** Nickel silver
- Actuator:** Brass with nickel-plating
- Terminal:** Brass with silver-plating
- Contact:** Stainless steel with silver-plating

#### Electrical

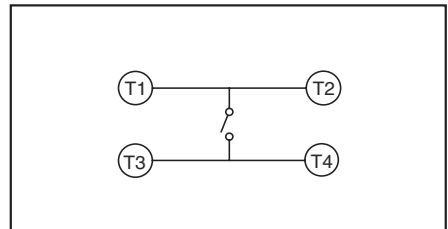
- Rating:** 50mA, 12 Vdc
- Life:** 160g: 1,000,000 cycles; 260g: 200,000 cycles
- Actuator Travel:** .010" + .008" / - .004"
- Contact Resistance:** 100 m $\Omega$  max.
- Insulation Resistance:** 100 M $\Omega$  min. at 500Vdc

- Dielectric Strength:** No dielectric breakdown after 250V for one minute.
- Contact Arrangement:** single pole, single throw

#### Environmental

- Operating Temp. Range:** -25 to 70°C
- Storage Temp. Range:** -30 to 80°C
- Mechanical Shock:** MIL-STD-202F, Method 213B, Test Condition A. Gravity: 50G (peak value), 11 msec. Direction and times: 6 sides and 3 times in each direction.
- Vibration:** MIL-STD-202F, Method 201A. Passed 6 hours (2 hours in each) of three

### CIRCUITRY



perpendicular planes at a cycle of 10-55-10Hz/minute.

#### Soldering Process

- Hand Soldering:** Use a soldering iron of 30 watts, controlled at 350°C for 5 seconds maximum while applying solder.
- Reflow Soldering:** Peak temperature 260°C (500°F).

#### Packaging

Tape and Reel: 4000 pcs/reel.

### ORDERING INFORMATION

<p><b>95C05B3GWRT</b></p>	<b>Series</b>
	<b>Size:</b> 05 = 5mm Square
	<b>Height:</b> B = .059 (1,49)
	<b>RoHS compliant</b>
	<b>Packaging:</b> R = Tape and Reel (see pkg note)
	<b>Terminal Style:</b> GW = Gull Wing
	<b>Operating Force:</b> 3 = 160g, 4 = 260g

Available from your local Grayhill Component Distributor.

For prices and discounts, contact a local Sales Office, an authorized local distributor, or Grayhill.

Tact Switches

## SERIES 95C

6mm Square, Washable

### FEATURES

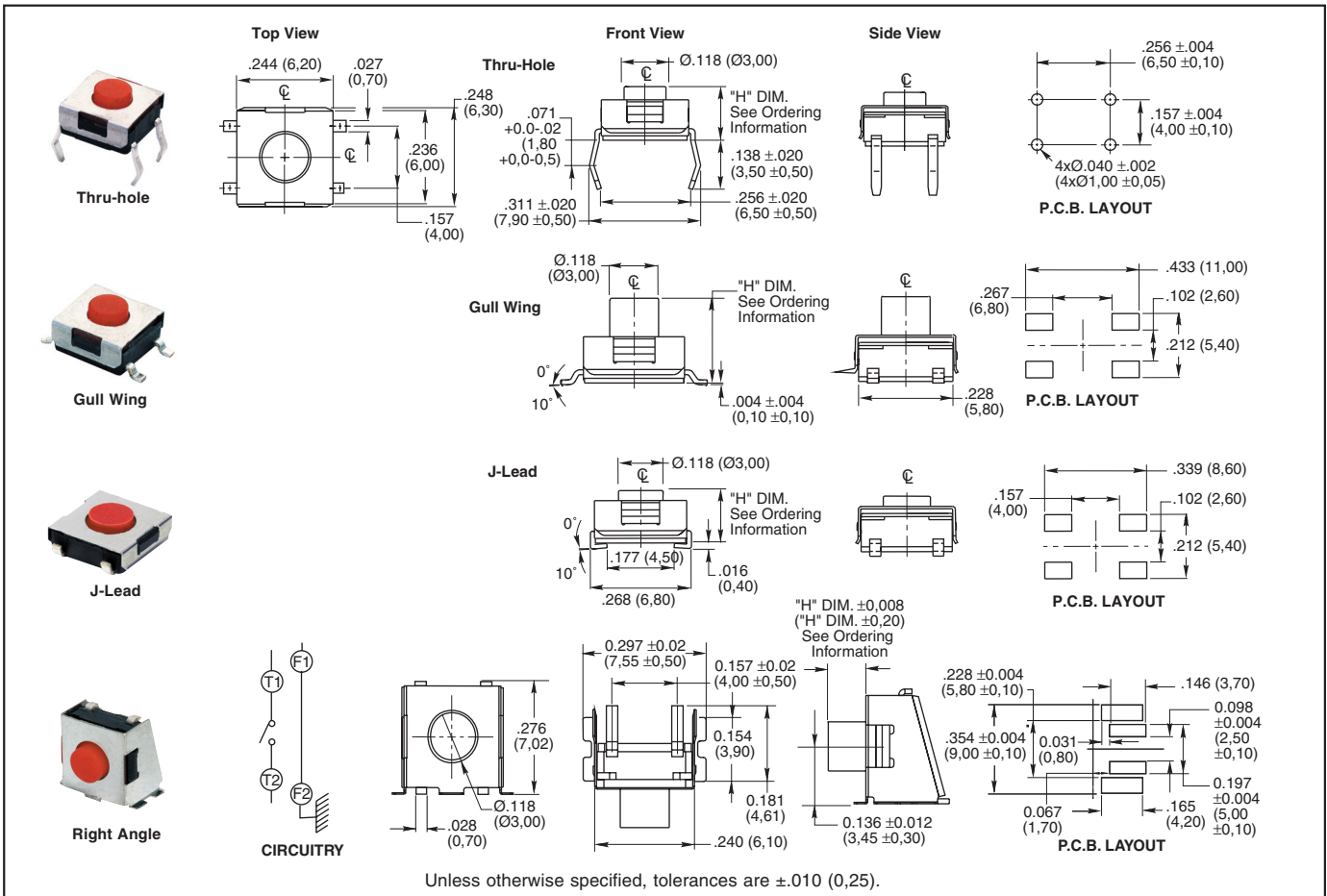
- Designed to Allow Submersed Washing After Soldering
- Excellent Tactile Feedback
- Thru-hole, Gull Wings, Right Angle, and J-Lead Versions
- Surface Mount Versions Compatible with SMT Assembly Including Infrared and Vapor Phase
- Ultraminiature and Lightweight Structure Suitable for High Density Mounting

### APPLICATIONS

Used in applications such as consumer electronics, audio equipment, PCs, VCRs, cable boxes, modems, communications equipment, controls, security and alarm equipment, and test and measurement equipment.



### DIMENSIONS: Washable Switches In inches (and millimeters)



### SPECIFICATIONS:

#### Washable Switches

##### Materials

- Base:** UL94V-0 Nylon thermoplastic
- Cover:** Stainless steel, nickel silver
- Actuator:** Silicone rubber
- Terminal:** Brass with silver-plating
- Contact:** Stainless steel with silver-plating

##### Electrical

- Rating:** 50mA, 12 Vdc
- Life:** See table, page C-12
- Actuator Travel:**  $.018" \pm .008"$
- Contact Resistance:** 100 m $\Omega$  max.

- Insulation Resistance:** 100M $\Omega$ min. at 500Vdc
- Dielectric Strength:** No dielectric breakdown after 250V for one minute
- Contact Arrangement:** single pole, single throw

##### Environmental

- Operating Temp. Range:** -25 to 70°C
- Storage Temp. Range:** -30 to 80°C
- Mechanical Shock:** MIL-STD-202F, Method 213B, Test Condition A. Gravity: 50G's (peak value), 11 msec. Direction and times: 6 sides and 3 times in each direction. High reliability.
- Vibration:** MIL-STD-202F, Method 201A.

Passed 6 hours (2 hours in each) of three perpendicular planes at a cycle of 10-55-10Hz/minute. High reliability.

##### Soldering Process

- Hand Soldering:** Use a soldering iron of 30 watts, controlled at 350°C for 5 seconds maximum while applying solder.
- Reflow Soldering** (surface mount versions only): Peak temperature 260°C (500°F).
- Wave Soldering:** 260°C (500°F) maximum for 5 seconds subject to PCB .063 in. (1,60 mm) thickness.

## ORDERING INFORMATION: Washable Switches

## Thru-Hole

Part Number	Height ("H") in (mm)	Force (Grams)	Actuator Color	Electrical Life (Cycles)	Tube Packaging
95CW06A1T	.091 (2,3)	160	Silver	100,000	75PCS/Tube
95CW06B1T	.122 (3,1)	160	Brown	100,000	75PCS/Tube
95CW06C2T	.138 (3,5)	180	Brown	500,000	75PCS/Tube
95CW06C3T	.138 (3,5)	260	Red	500,000	75PCS/Tube
95CW06C5T	.138 (3,5)	360	Clear	500,000	75PCS/Tube
95CW06D2T	.150 (3,8)	180	Brown	500,000	75PCS/Tube
95CW06D3T	.150 (3,8)	260	Red	500,000	75PCS/Tube
95CW06D4T	.150 (3,8)	520	Yellow	50,000	75PCS/Tube
95CW06D5T	.150 (3,8)	360	Clear	500,000	75PCS/Tube
95CW06E2T	.205 (5,2)	180	Brown	500,000	77PCS/Tube
95CW06E3T	.205 (5,2)	260	Red	500,000	77PCS/Tube
95CW06E4T	.205 (5,2)	520	Yellow	50,000	77PCS/Tube
95CW06E5T	.205 (5,2)	360	Clear	500,000	77PCS/Tube

## Gull Wing

Part Number	Height ("H") in (mm)	Force (Grams)	Actuator Color	Electrical Life (Cycles)	Tube Packaging	Tape & Reel* Packaging
95CW06A1GWT	.091 (2,29)	160	Silver	100,000	75PCS/Tube	2000PCS/Reel
95CW06B1GWT	.122 (3,10)	160	Brown	100,000	75PCS/Tube	2000PCS/Reel
95CW06C2GWT	.138 (3,51)	180	Brown	500,000	75PCS/Tube	1900PCS/Reel
95CW06C3GWT	.138 (3,51)	260	Red	500,000	75PCS/Tube	1900PCS/Reel
95CW06C5GWT	.138 (3,51)	360	Clear	500,000	75PCS/Tube	1900PCS/Reel
95CW06D2GWT	.150 (3,81)	180	Brown	500,000	75PCS/Tube	1900PCS/Reel
95CW06D3GWT	.150 (3,81)	260	Red	500,000	75PCS/Tube	1900PCS/Reel
95CW06D4GWT	.150 (3,81)	520	Yellow	50,000	75PCS/Tube	1900PCS/Reel
95CW06D5GWT	.150 (3,81)	360	Clear	500,000	75PCS/Tube	1900PCS/Reel
95CW06E2GWT	.205 (5,21)	180	Brown	500,000	77PCS/Tube	900PCS/Reel
95CW06E3GWT	.205 (5,21)	260	Red	500,000	77PCS/Tube	900PCS/Reel
95CW06E4GWT	.205 (5,21)	520	Yellow	50,000	77PCS/Tube	900PCS/Reel
95CW06E5GWT	.205 (5,21)	360	Clear	500,000	77PCS/Tube	900PCS/Reel

## J-Lead

Part Number	Height ("H") in (mm)	Force (Grams)	Actuator Color	Electrical Life (Cycles)	Tube Packaging	Tape & Reel* Packaging
95CW06A1JT	.091 (2,29)	160	Silver	100,000	75PCS/Tube	2000PCS/Reel
95CW06B1JT	.122 (3,10)	160	Brown	100,000	75PCS/Tube	1900PCS/Reel
95CW06C2JT	.138 (3,51)	180	Brown	500,000	75PCS/Tube	1800PCS/Reel
95CW06C3JT	.138 (3,51)	260	Red	500,000	75PCS/Tube	1800PCS/Reel
95CW06C5JT	.138 (3,51)	360	Clear	500,000	75PCS/Tube	1800PCS/Reel
95CW06D2JT	.150 (3,81)	180	Brown	500,000	75PCS/Tube	1800PCS/Reel
95CW06D3JT	.150 (3,81)	260	Red	500,000	75PCS/Tube	1800PCS/Reel
95CW06D4JT	.150 (3,81)	520	Yellow	50,000	75PCS/Tube	1800PCS/Reel
95CW06D5JT	.150 (3,81)	360	Clear	500,000	75PCS/Tube	1800PCS/Reel
95CW06E2JT	.205 (5,21)	180	Brown	500,000	77PCS/Tube	900PCS/Reel
95CW06E3JT	.205 (5,21)	260	Red	500,000	77PCS/Tube	900PCS/Reel
95CW06E4JT	.205 (5,21)	520	Yellow	50,000	77PCS/Tube	900PCS/Reel
95CW06E5JT	.205 (5,21)	360	Clear	500,000	77PCS/Tube	900PCS/Reel

## Right Angle

Part Number	Height in ("H") (mm)	Force (Grams)	Actuator Color	Electrical Life (Cycles)	Tape & Reel Packaging
95CW06A3RART	.031 (0,79)	260	Red	500,000	700PCS/Reel
95CW06B3RART	.039 (0,99)	260	Red	500,000	700PCS/Reel
95CW06C3RART	.091 (2,31)	260	Red	500,000	700PCS/Reel

Available from your local Grayhill Component Distributor. \*Insert "R" before "T" for tape and reel packaging. For prices and discounts, contact a local Sales Office, an authorized local distributor, or Grayhill.